



*1036 SP*

*WATER  
DISPENSER*

*USER  
Manual*




**This product is  
manufactured in environmentally  
conscious modern facilities without  
giving any damage to nature.**

Our Dear Customer, we wish this product, which passed through Arcelik's strict quality inspections in modern facilities, to serve you the best efficiency. For this reason, we request you to read carefully this manual prior to using this equipment and keep it as a future reference source.



TECHNICAL SPECIFICATIONS

Brand	
Type	1036 SP
Product Category	Water Dispenser
Hot water tank capacity (l)	1.2
Cold water tank capacity (l)	3.8
Heating capacity (l/h)	5
Cooling capacity (l/h)	2
Hot water temperature (°C)	≥90
Cold water temperature (°C)	5-10
Refrigerant (R134a/g)	34 g
Cooling Power (W)	81
Heating Power (W)	550
Height (cm)	99
Width (cm)	32
Depth (cm)	36
Weight (kg)	20.5
Power Supply (V/Hz)	220-240/50
Power Consumption (W)	631

\* Lifetime: 10 years. (Keeping stock of the necessary spare parts for the functioning of this product) On the markings of the product and the values stated on the other documents which are given with the product, the figures are obtained according to the related standards in laboratory conditions. These figures may differ in daily usage and under ambient conditions.



# CONTENTS

## CHAPTER 1:

Things to do before using the product and safety instructions

## CHAPTER 2:

General outlook

## CHAPTER 3:

Operating the water dispenser

## CHAPTER 4:

Cleaning the water dispenser

## CHAPTER 5:

Things to do before calling the service

## CHAPTER 6:

Troubleshooting instructions



**Before operating the water dispenser please read the user manual which contains important information about installation, usage and maintenance carefully.**

- Operating voltage of the fountain is 220 V -240V/50Hz. Ambient temperature: 0~43°C.
- The water dispenser is designed to be used in houses and offices.
- The water dispenser should be placed at least 30 cm away from heat sources such as cooker, oven, radiator, stove and electric oven and should not be kept under direct sunlight.
- For a good ventilation, leave enough space behind the water dispenser (10 - 20 cm).
- If two water dispensers are placed side by side leave at least 2 cm in between.
- The water dispenser should operate and stop without any vibration. Place the water dispenser on a horizontal and rigid surface in balanced form. This process should be done before placing the bottle (water tank) on top of it.
- Select appropriate power supply cord for the equipment and choose the electric socket accordingly and make grounding absolutely. Check the plug and socket after certain time and do not allow any excessive heating.
- Pre-cleaning at least one time as follows.
  - Keep the unit unplugged.
  - Make sure the backside hot water drainage hole cap is not leaked or broken.
  - Fill water tank and wait for 5 minutes until water settles.
  - Push the hot water faucet until water comes out, then stop the faucet.
  - Plug the dispenser into the electrical outlet.
- Wait for the hot water to reach temperature (it will indicate ready with 3 beeps) in approximately 10 minutes, and then wait for the cold to reach temperature in other 40 minutes approximately (it will indicate ready with 3 beeps).
- Unplug the dispenser and drain the water from the faucets until no more water remains.
- Then, drain any water left in the tanks by opening the drainage hole located on the back, until it drains completely.
- Put the bottled purified or other clean water on the top cover and push water faucet buttons to insure water flows from both faucets.
- Plug dispenser again into the electrical outlet.
- After you drained 2-3 bottles of water out of the product for cleaning purposes, the water you would take shall come to the desired smell and taste.
- Do not put a new bottle on the product before using the water inside the old bottle completely. This is needed to keep the water level inside the product stabilized.

## CHAPTER 1:

### Things to do before using the product and safety instructions

When you are operating the water dispenser for the first time, please be careful about the following points.

- In order to avoid any damage to the heating system do not plug the power supply cord in, before water comes from the hot water tap.
- The water dispenser should not face with any means of outage.
- Let the water dispenser stand upright for around 6 hours to reduce the malfunction possibility.
- Check and make sure the backside drain plug is not broken or damaged.
- Do not set the cooling button "off" during the first 6 hours of the first operation.
- In case of the outage during first 6 hours of first operation, read chapter 5 before calling the service.



## Safety instructions

In case the information in the user manual is ignored, keep in mind that the manufacturer shall not accept any liability

- ☛ The repair of electrical equipments should be performed only by competent persons. Any incorrect repair may be harmful to the consumer.
- ☛ In case of a failure or during maintenance or cleaning, stop the power supply by pulling the plug off.  
When plugging off do not pull from the cord.
- ☛ The equipment's electrical safety can be guaranteed if the electrical system of the house is grounded properly according to the standards.

- ☛ The product you bought is designed to be used with a "bottle" only.
- ☛ If there is no functional opening on the lid of the bottle, make notches by a sharp tool (e.g. a knife) at the center of the lid in order to let water flow freely to the tanks.



- ☛ Place the water dispenser away from electronic equipments and precious goods such as TV, CD Player or Music Systems and place under shade.
- ☛ Do not use any part of the product as a support or a footboard.
- ☛ Do not operate the water dispenser if it is damaged. In case of uncertainty contact with your service.
- ☛ Do not use sharp tools or drills at the back of the water dispenser where refrigerant gas cycle is realized. If any damage occurs at the condenser channels or tubes, refrigerant may cause irritation on the skin and severe eye injuries.
- ☛ Do not cover or put any substance on the product.
- ☛ Take care of the children not to play with the equipment. For example, in order to avoid any harm that may be caused by hot water tap is opened by children, place the water dispenser away from children's access.
- ☛ This product is designed for water cooling and heating only. Do not use it for cooling soft drinks such as as ayran and lemonade etc. or high alcoholic liquids.
- ☛ Never keep the products that contain flammable gases (e.g. sprays) or explosives by the equipment.
- ☛ Do not tilt the equipment more than 45° during transportation or moving.
- ☛ Do not use the bottle with any crack, leakage or hole.
- ☛ Do not turn "on" and "off" the cold switch within 3 minutes.

Original packing and packaging materials may be needed for re-transportation or carrying. The points that should be considered during re-transportation:

1. The Water dispenser should be drained and cleaned prior to carrying.
2. The accessories of the water dispenser should be taped and secured in order to avoid vibration.
3. The condenser tubes at the back should be protected against crashes and damages prior to packaging.
4. Packaging should be done with wide tapes and strong strings and the transportation rules on the packaging should be obeyed absolutely.
5. The equipment should not be carried in horizontal form, tilted more than 45°  
If this happened, the equipment should stay vertically 6 hours prior to operation.

**Do not forget...**  
Any material which can be recycled is a valuable asset for the nature and national resources.

**If you want to help to the recycling of the packaging materials, you may obtain information from environmental organizations or local authorities.**

The operations to be performed for energy saving:

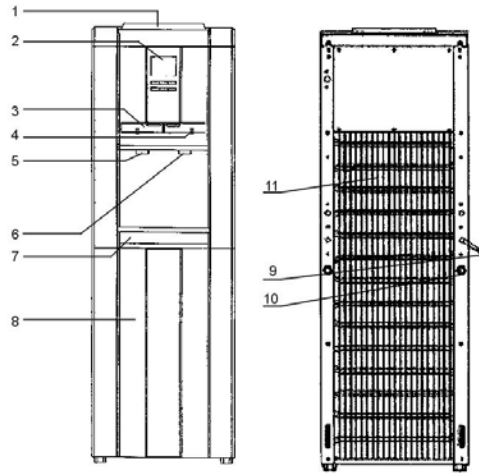
- ☛ Do not put hot water to water dispenser.
- ☛ Do not place water dispenser under direct sunlight and near heat sources such as oven, washing machine and radiator.
- ☛ If you will not use the water dispenser for a long time or during the night, switch it off.



## CHAPTER 2: General outlook

**Caution!** The following drawing is for demonstration of the accessories. May not correspond exactly to the product what you might have bought.

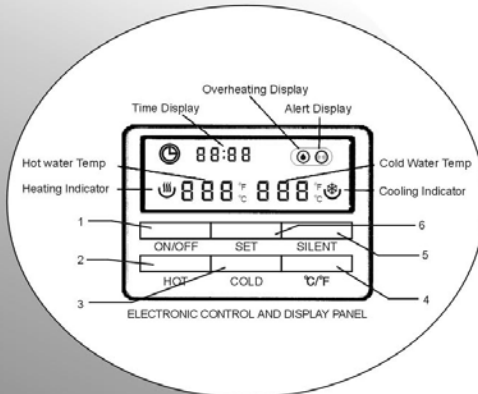
- |                             |                             |
|-----------------------------|-----------------------------|
| 1. Top cover                | 7. Water receptacle         |
| 2. Function button ass'y    | 8. Storage compartment      |
| 3. Hot water faucet button  | 9. Power supply cord        |
| 4. Cold water faucet button | 10. Hot water drainage hole |
| 5. Hot water faucet         | 11. Condenser               |
| 6. Cold water faucet        |                             |



## CHAPTER 3: Operating the the water dispenser

### Preparation for operating the water dispenser

- Tear off the hygienic label on the bottle (water tank).
- Place the bottle upside down on top of water dispenser inside the top cover. The center of the top cover will automatically open and close the valve. At the same time since the bottle is moving, it will automatically shut off to avoid a possible water leakage at the valve.
- There are two taps on the water dispenser, one for cold water and one for hot water. The hot water tap is red, and the cold water tap is blue.
- Push the hot tap (red), bubbles will form in the bottle indicating that the water is flowing to the hot water and cold water tanks. Continue to push the hot water tap until the flow will come to an end. **CAUTION! Do not connect to the power supply until water comes from the hot water tap.**
- You may plug it in after water comes from the hot water tap.



#### 1. Power Indicator

When the water dispenser power is on, press the "ON/OFF" button, the beeper will beep one time and the machine will be in a stand-by status.

#### 2. Hot Function

A. In a stand-by status, press the HOT button, the HOT signal will flash and turn on the hot function. The present temperature will be displayed. When the water temperature reaches the desired setting, the heating process stop, the HOT signal display steadily, indicating the machine is in a hot-keeping status.

B. In the process of the heating, press the HOT button, the heating process is canceled with the HOT signal off. The present water temperature will not be displayed.

#### 3. Cold Function

A. In a stand-by status, press the COLD button, the COLD signal will flash and turn on cold Function. The present temperature will be displayed. When the water temperature reaches the desired setting, the cooling process stop, the COLD signal display steadily, indicating the machine is in a cold-keeping status.

B. In the process of the cooling, press the COLD button, the cooling process canceled with the COLD signal off. The present water temperature will not be displayed.

#### 4. Celsius/Fahrenheit converting function

Cold/hot water temperature is displayed in the defaulted Celsius degree, press the C/F button the pattern °C will be off, the pattern F will be displayed, the temperature will convert from Celsius to Fahrenheit, press the C/F button once more, the pattern °C will be displayed and the Pattern °F will be off, the temperature will be convert from Fahrenheit to Celsius.

#### 5. Silent Function

In a stand-by status press the SILENT button one time and turn on the mute function. The horn symbol will not be displayed. The mute function could be cancelled with one more push of SILENT button. Then the horn symbol will be displayed again.

#### 6. Set Function

A. In a stand-by status press the SET button and goes into a set mode, the set sequence is: HOUR, MINUTE, HOT WATER TEMPERATURE, and COLD WATER TEMPERATURE.

B. When set a parameter, the parameter signal will flash, using the COLD and HOT button to adjust the parameters. In the process of the setting, if you don't press any button for 8 seconds, the setting process will cancel and all the present value will be defined as the set parameters.

#### C. Detailed Steps

1. Press the SET button one time and the hour-setting signal will flash, when press the HOT (+) button one time, you will be able to see the flashing signal +1, when press the COLD (-) button one time, you will be able to see the flashing signal -1. The adjusted range is from 00-12.

2. Press the SET button one more time and the minute-setting signal will flash, when press the HOT (-) button one time, you will be able to see the flashing signal +1, press the COLD (-) button one time, you will be able to see the flashing signal -1, the adjusted range is from 00 to 59.

3. Press the SET button one more time and the hot water temperature signal (default 92°C) will flash, when press the HOT (+) button one time, you will be able to see the flashing signal +1, press the COLD (-) button one time, you will be able to see the flashing signal -1. The adjusted range is from 85 to 92°C.

4. Press the SET button one more time and the cold water temperature signal (defaulted 7°C) will flash, when press the HOT (+) button one time, you will be able to see the flashing signal +1, press the COLD (-) button one time, you will be able to see the flashing signal -1. The adjusted range is from 05 to 10°C.

5. Wait for 8 seconds then the set function will be off, the dispenser will run in the set parameters.

6. When the power is cut off, all the set parameters will be lost and restore to the default value. You can skip some parameters if you don't adjust these parameters, the machine will run in the last-set parameters or default parameters.

D. In the process of adjusting the parameters press the HOT button or COLD button for 2 seconds, the set process will be in a continuous increase or decrease status.



## CHAPTER 4: Cleaning the water dispenser

- Before cleaning, disconnect the equipment from the power supply by pulling the plug off carefully.
- While cleaning, never use steam or cleaning materials with steam, and do not inject water directly. If this happens, steam or water particles would reach the areas where electricity is present in the equipment and would cause short circuits or electrical shocks.
- Clean outside of the equipment with soft cloth or sponge soaked into carbonate (soda) added tepid water. Use cloth or sponge after squeezing. Never use scratching or abrasive materials (e.g. solvent, bleach, detergent).
- When cleaning the water tanks, never use chemicals or detergents which may be dangerous to health.
- Clean the dust collected at the back of the equipment with a brush or vacuum cleaner at least once a year. The dust or other foreign materials covered on the condenser may be cleaned with a soft cloth soaked into water.
- After cleaning the equipment, wipe it completely for drying.
- The identification label that is stuck on the equipment may be removed (removable within 1 year). To remove pick one corner up and pull it slowly in the other direction. If the sticker is destroyed during removal, do not scratch the remains but soften them with a wet sponge and then remove.

**Note:**  
For cleaning purposes never use kerosene, gasoline or similar materials.



## CHAPTER 5: Things to do before calling the service

Please carry out the following controls before calling for servicing;



1. Is the plug inserted into the socket properly?



2. Is the main fuse of the socket that supply power to the water dispenser blown off?



3. Are the hot water and cold water switches in correct position?



### Important note:

Does the cooling system rest for 3 minutes after the power supply or cooling system is cut off.

☛ If that happens within the first six hours during initial operation, pull the plug off, wait for an hour and then plug it in again.

☛ If that happens after the first six hours you do not have to pull the plug off. After 10 minutes the equipment will automatically start to operate.

If the equipment does not start to cool after this period, call for the authorized service.



## CHAPTER 6: Troubleshooting instructions

Problem	Possible Reason
The water dispenser does not operate	The plug is not inserted. The power supply fuse may have blown off.
The water coming from the cold water top is not cold enough	Be sure of the cooling button is on at the back. The water dispenser is not placed for enough space from the wall.
The water dispenser can not heat the water sufficiently	Be sure of the heating button is on at the back. The heating element in the hot water tank may be covered (calcified). Read the instructions about the cleaning of the water dispenser and apply.
The compressor is operating and stopping frequently	Ambient temperature is above normal. The water dispenser is not placed for enough space from the wall.
There is vibration	Ensure that the water dispenser is placed in a well balanced form.
The water dispenser makes much noise while operating	Noise may result from flowing of the refrigerant and this is something normal. At the end of every cycle you may hear a flowing noise. There may be some noise originating from the expansion and contraction of the water tanks because of heating and cooling. Be sure of the water dispenser is placed well balanced.

